

ADA Lavatory Fixture

FXR-SS-L-4910 Series



Specification Guide

- Oval lavatory basin.
- Fast drain, air circulating self draining soap dish.
- 4" high backsplash.
- Elbow lavatory waste with 1 ¼" OD plain end extended 3" beyond rear of fixture.
- Cabinet interior is provided with a sound dampening, fire resistant material.
- Optional valve and bubbler conform with lead free requirements for NSF61.
- Anchoring shall be a 4-point mounting system, furnished with necessary fasteners for proper installation.
- Welded bottom enclosure.

Note: Optional Wall Sleeve or Metal Template is recommended for all installations for required wall openings.

Fixture may be featured with available options.

► Description

This Lavatory is designed for high security areas with an accessible pipe chase. Fixtures are fabricated using 14-gauge type 304 stainless steel, seamlessly welded to form a one piece vandal resistant unit. Lavatory is furnished with a 4" high back splash and integral ribbed soap dish. The fixture interior is coated with a sound dampening, fire resistant material. Exposed surfaces are polished to a satin finish. Fixture meets A.D.A. requirements when installed per A.D.A. guidelines.

► Recommended I-CON Intelligent Control System

The system includes low voltage water resistant controllers, waterproof stainless steel actuators and direct acting solenoid valves with no diaphragms. The I-CON Manifold Lavatory Valve allows for one (1) hot and cold water supply for up to four (4) lavatories and the advanced design allows for .5 GPM without rubber flow restrictor to fail. The I-CON System can be configured as a standalone or communicating unit linked to our touchscreen PC technology with the capability to stop flooding and abuse.



► Accessories & Options

See accessories and available options on page 2.

ADA Lavatory Fixture

FXR-SS-L-4910 Series

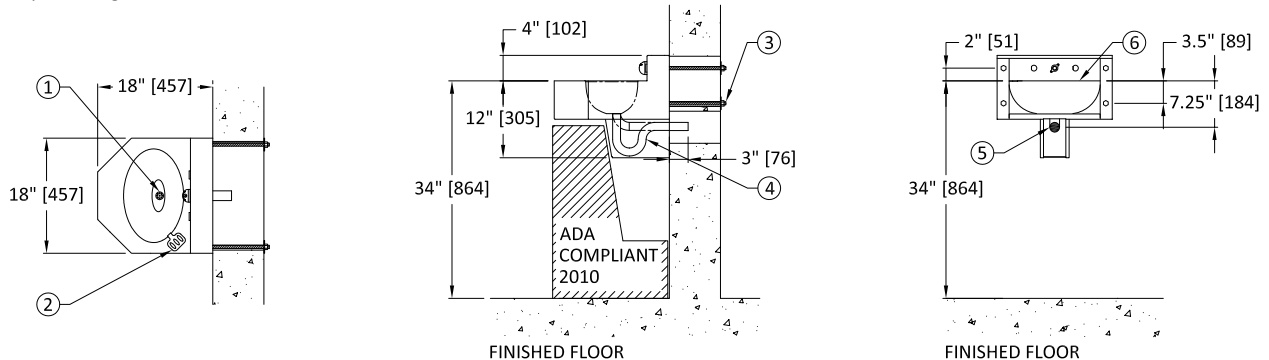
- ▶ **Wall Type (must select one)**
 - Block Concrete Steel
- ▶ **Wall Thickness (must select one)**
 - Less than 3 3/8" 3 3/8" 5 3/8" 6" 7 3/8" 8"
- ▶ **Access Type (must select one)**
 - Rear
- ▶ **Basin Selection (must select one)**
 - Oval Basin
- ▶ **Lavatory Bubbler (must select one)**
 - Lavatory Filler
 - Penal Bubbler
 - Suicide Resistant Bubbler
 - Penal Bubbler with Mouthguard
- ▶ **Lavatory Button Cutout (must select one)**
 - I-CON Single Temperature
 - I-CON Dual Temperature
- ▶ **Lavatory Waste (must select one)**
 - Standard 3" Beyond Rear of Fixture (Stainless)
 - Custom ___ Inches Beyond Rear of Fixture (Stainless)
 - 1 1/2" FIPT to Rear of Fixture (Stainless)
 - P-Trap in Cabinet / Standard 3" Beyond Rear of Fixture (Stainless)
 - P-Trap in Cabinet / Custom ___ Inches Beyond Rear of Fixture (Stainless)
 - P-Trap in Cabinet / 1 1/2" FIPT to Rear of Fixture (Stainless)
 - P-Trap in Cabinet, Cast Brass with Plug, Removable
 - Thru-Wall Connection With P-Trap
- ▶ **Mounting Accessory (optional)**
 - Wall Sleeve Wall Template

Note: Additional documents required.
- ▶ **Toiletry Accessories (optional)**
 - Towel Hook Quantity ____ Location: left right
 - Toothbrush Quantity ____ Location: left right
 - Integral Shelf - 14 Gauge
 - Integral Shelf - 12 Gauge
- ▶ **Additional Options (optional)**
 - Vent Grill
 - Lavatory Overflow
 - 12 Gauge Cabinet

Note: If any modification is required please contact factory for availability.

Revised: 09/01/16

1. Fast drain
2. Soap dish
3. 1/2" Threaded anchor
4. Optional P-trap lavatory waste outlet
5. 1 1/2" OD lavatory waste outlet
6. Lavatory basin height



Important: Installation instructions and rough-in are included with each fixture. Do not modify these drawings. Do not rough in with certified dimensions. Dimensions are subject to manufacturer's tolerance of plus or minus 1/4" and change without notice. I-CON assumes no responsibility for use of voided or superseded data. © I-CON Systems, Inc.

Approved for Manufacturing

Company _____ Quantity _____
Signature _____ Date _____