

Front Mount Shower Panel

FXR-SS-S-5010 Series



Specification Guide

- Vandal resistant shower head.
- 30 degree angled shower head.
- Recessed or surfaced mounted optional soap dish.
- Single or dual temp valve available.
- Anchoring shall be a 6-point mounting system, furnished with necessary fasteners for proper installation.

Note: Optional Wall Sleeve or Metal Template is recommended for all installations for required wall openings.

Fixture maybe featured with available options.

► Description

This Shower Panel is designed for high security areas with an accessible pipe chase. Fixtures are fabricated using 14-gauge type 304 stainless steel. Exposed surfaces are polished to a satin finish.

► Recommended I-CON Intelligent Control System

The system includes low voltage water resistant controllers, waterproof stainless steel actuators and direct acting solenoid valves with no diaphragms. The I-CON Pre-Tempered Water Manifold are industrial quality solenoid valves for use with up to four pre-tempered shower fixtures. Designed to save water and money while allowing for an expandable valve solution where multiple valves can be attached in series to reduce inlet piping requirements. The manifold's solenoids are direct acting and therefore do not have diaphragms that are subject to deterioration or clogging.

► Accessories & Options

See accessories and available options on page 2.



Front Mount Shower Panel

FXR-SS-S-5010 Series

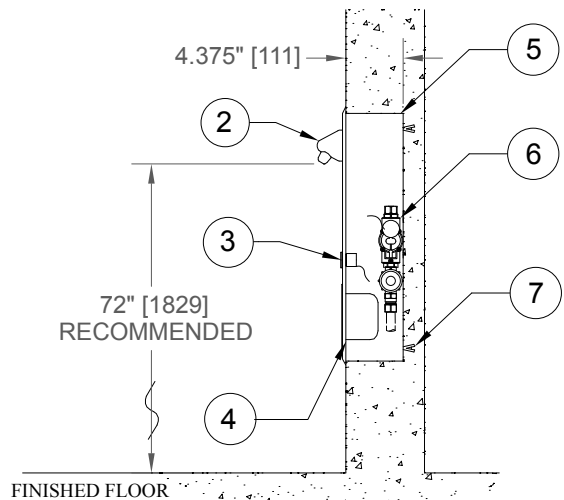
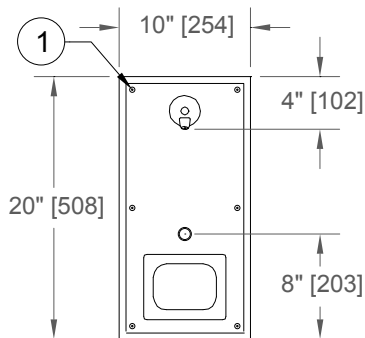
- ▶ **Wall Thickness and Type (must specify)**
Thickness: _____ Type: Concrete Block Steel
- ▶ **Base Model (must specify)**
 Front Mount Shower Panel
- ▶ **Shower Button Cutout (must specify)**
 046 - I-CON Electronic Single Temperature
 047 - I-CON Electronic Hot & Cold

- ▶ **Mounting Accessories (optional)**
 021 - Wall Sleeve
 022 - Metal Template
- ▶ **Additional Options**
 049 - Recessed Soap Dish
 050 - Surface Mounted Soap Dish
 051 - Shower Head (spray at 17 degrees)
 052 - 2 GPM Flow

Note: If any modification is required please contact factory for availability.

Revised: 1/29/14

1. Tamper resistant screws
2. 30° Angled shower head
3. Valve actuator
4. Optional - Recessed soap dish
5. Recessed wall mounting frame
6. Optional - Electronic Valve
7. Wall mounting anchors (by others)



Important: Installation instructions and rough-in are included with each fixture. Do not modify these drawings. Do not rough in with certified dimensions. Dimensions are subject to manufacturer's tolerance of plus or minus 1/4" and change without notice. I-CON assumes no responsibility for use of voided or superseded data. © I-CON Systems, Inc.

Approved for Manufacturing

Company _____ Quantity _____
Signature _____ Date _____