

Straddle Blowout Urinal

FXR-SS-U-2120 Series



Fixture maybe featured with available options.

Specification Guide

- Wall hung urinal with optional top or back supply.
- Back supply flushing connection 1 ½" FIPT.
- Top supply flushing connection 1 ½" MIPT.
- Blowout flushing action.
- 2 ¾" OD stainless steel fully enclosed trap with blowout jet.
- Anchoring shall be a 4-point mounting system, furnished with necessary fasteners for proper installation.

Note: Optional Wall Sleeve or Metal Template is recommended for all installations for required wall openings.

► Description

These Blowout Urinals are designed for high security areas with an accessible pipe chase. The fixtures are fabricated using 14-gauge type 304 stainless steel seamlessly welded to form a one piece, tamper resistant fixture. Exposed surfaces are polished to a satin finish. Flushing rim provides a full sanitary washdown of the interior. Intergal trap is fully enclosed.

► Recommended I-CON Intelligent Control System

The system includes low voltage water resistant controllers, waterproof stainless steel actuators, direct acting solenoid valves with no diaphragms, and an ASSE certified flush valve proven to be more reliable and less expensive to maintain than traditional valves. The I-CON System can be configured as a standalone or communicating system linked to our touchscreen PC technology, which both configurations offer with the capability to stop flooding and abuse while managing toilet flushes per hour/per fixture reducing water usage and sewer costs.

► Accessories & Options

See accessories and available options on page 2.



Straddle Blowout Urinal

FXR-SS-U-2120 Series

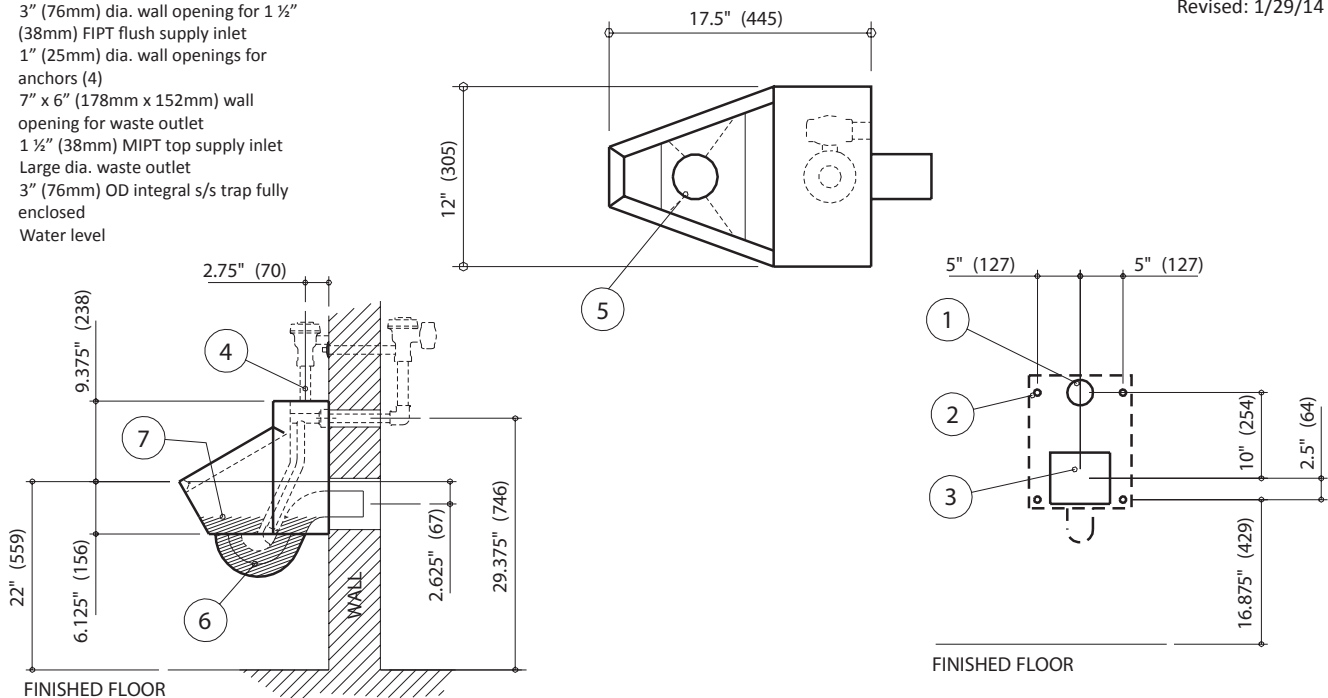
- ▶ **Wall Thickness and Type (must specify)**
Thickness: _____ Type: Concrete Block Steel
- ▶ **Base Model (must specify)**
 SWW - Straddle Blowout / Wall Supply / Wall Outlet
 STW - Straddle Blowout / Top Supply / Wall Outlet
- ▶ **Toilet Button Cutout (must specify)**
 009 - I-CON Electronic Flush Valve

- ▶ **Mounting Accessories (optional)**
 021 - Wall Sleeve
 022 - Metal Template
- ▶ **Additional Options**
 043 - Flush Valve Enclosure (top supply)
(If Flush Valve by others, punch only.)
 044 - Flush Valve Access Panel (wall supply)
(If Flush Valve by others, punch only.)

Note: If any modification is required please contact factory for availability.

Revised: 1/29/14

1. 3" (76mm) dia. wall opening for 1 1/2" (38mm) FIPT flush supply inlet
2. 1" (25mm) dia. wall openings for anchors (4)
3. 7" x 6" (178mm x 152mm) wall opening for waste outlet
4. 1 1/2" (38mm) MIPT top supply inlet
5. Large dia. waste outlet
6. 3" (76mm) OD integral s/s trap fully enclosed
7. Water level



Important: Installation instructions and rough-in are included with each fixture. Do not modify these drawings. Do not rough in with certified dimensions. Dimensions are subject to manufacturer's tolerance of plus or minus 1/4" and change without notice. I-CON assumes no responsibility for use of voided or superseded data. © I-CON Systems, Inc.

Approved for Manufacturing

Company _____ Quantity _____
Signature _____ Date _____