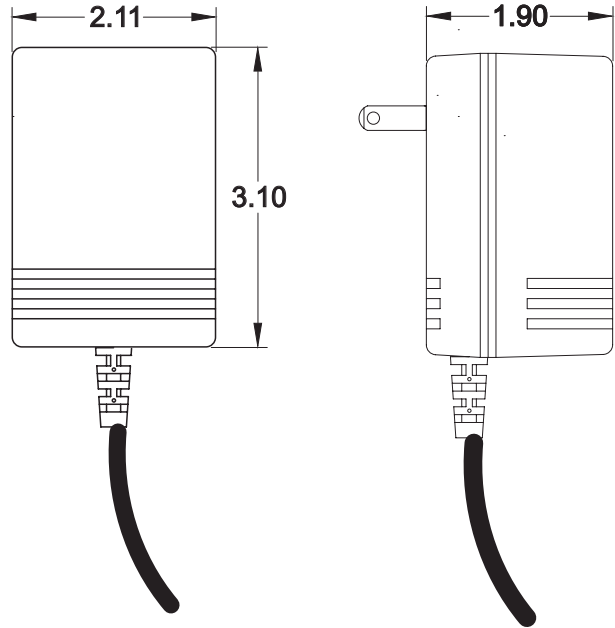


**Plug-In Model
24 Volt Transformer**

TRS-PI-120V Series



► **Description**

The Plug-In Transformer is designed to be plugged into a standard two-pronged receptacle.

► **Amperage** (choose one)

- 0.50 Amp (20 VA) for use with one (1) 4 I/O controller
- 1.00 Amp (40 VA) for use with two (2) 4 I/O controllers or one (1) 8 I/O controller
- 1.25 Amp (50 VA) for use with one (1) 8 I/O controller and one (1) 4 I/O controller

Specifications

- Different amperage transformers available will power multiple controllers in a chase
- Converts 120VAC, 60 Hz to 24 VAC, 60 Hz
- Unit is Class 2, internally fused
- UL listed, UL file number: E82323
- Operating temperature range from -40F to 230F

► **Accessories**

See Accessories Section of the I-CON catalog or contact our Customer Service Team for details.



This space is for Architect/Engineer approval

The information contained in this document is subject to change without notice.